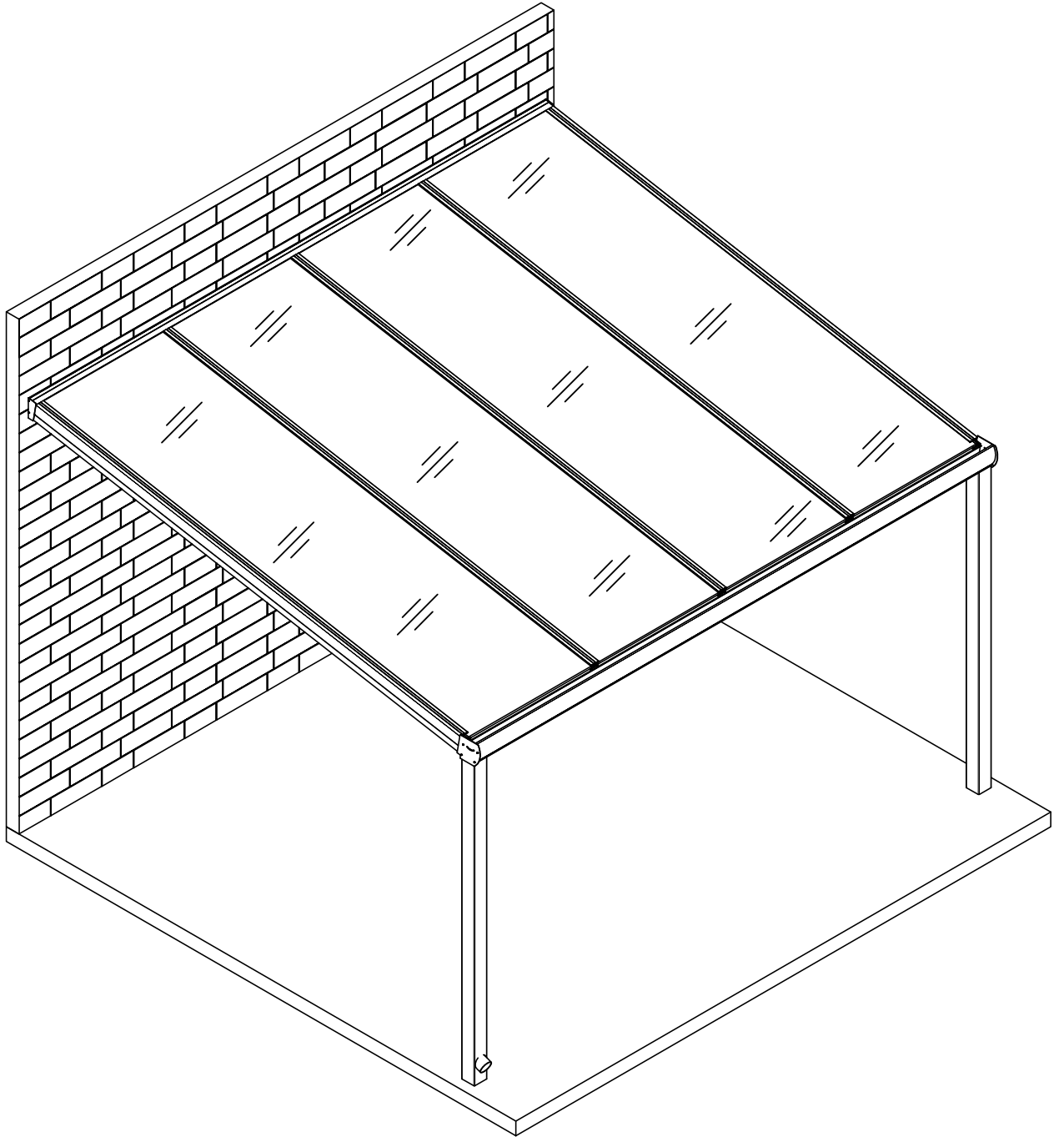


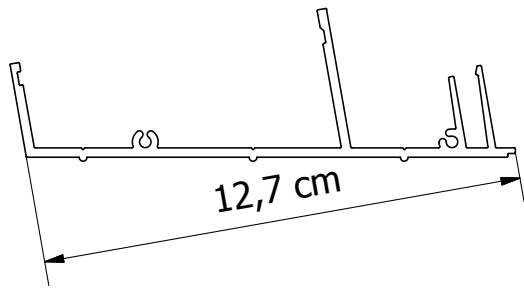
# REGIUM



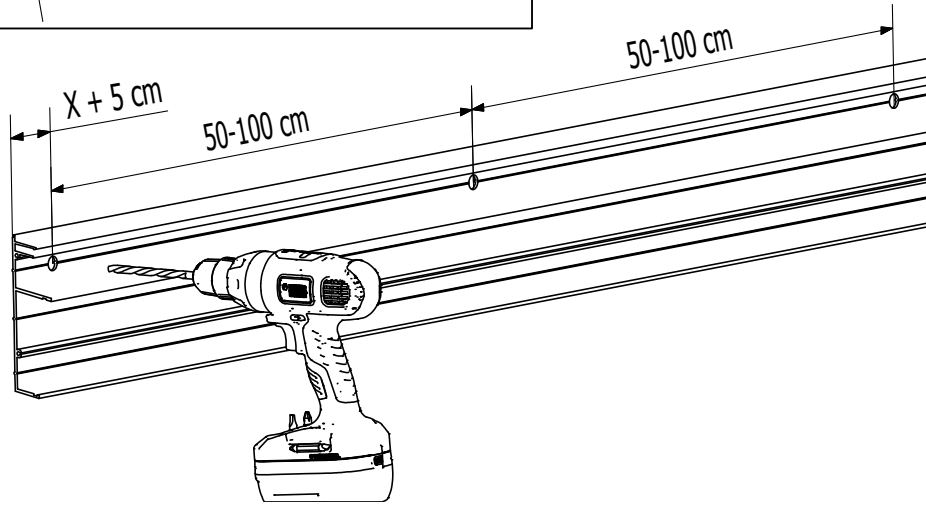
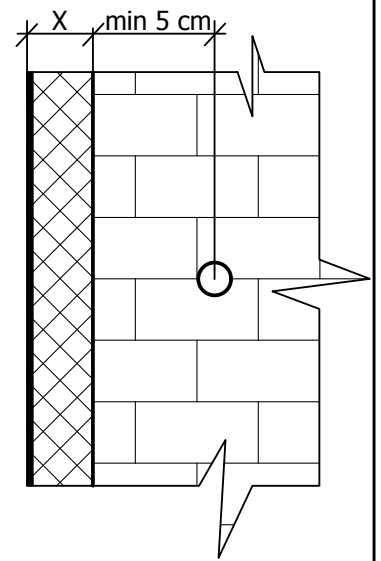
1

x1

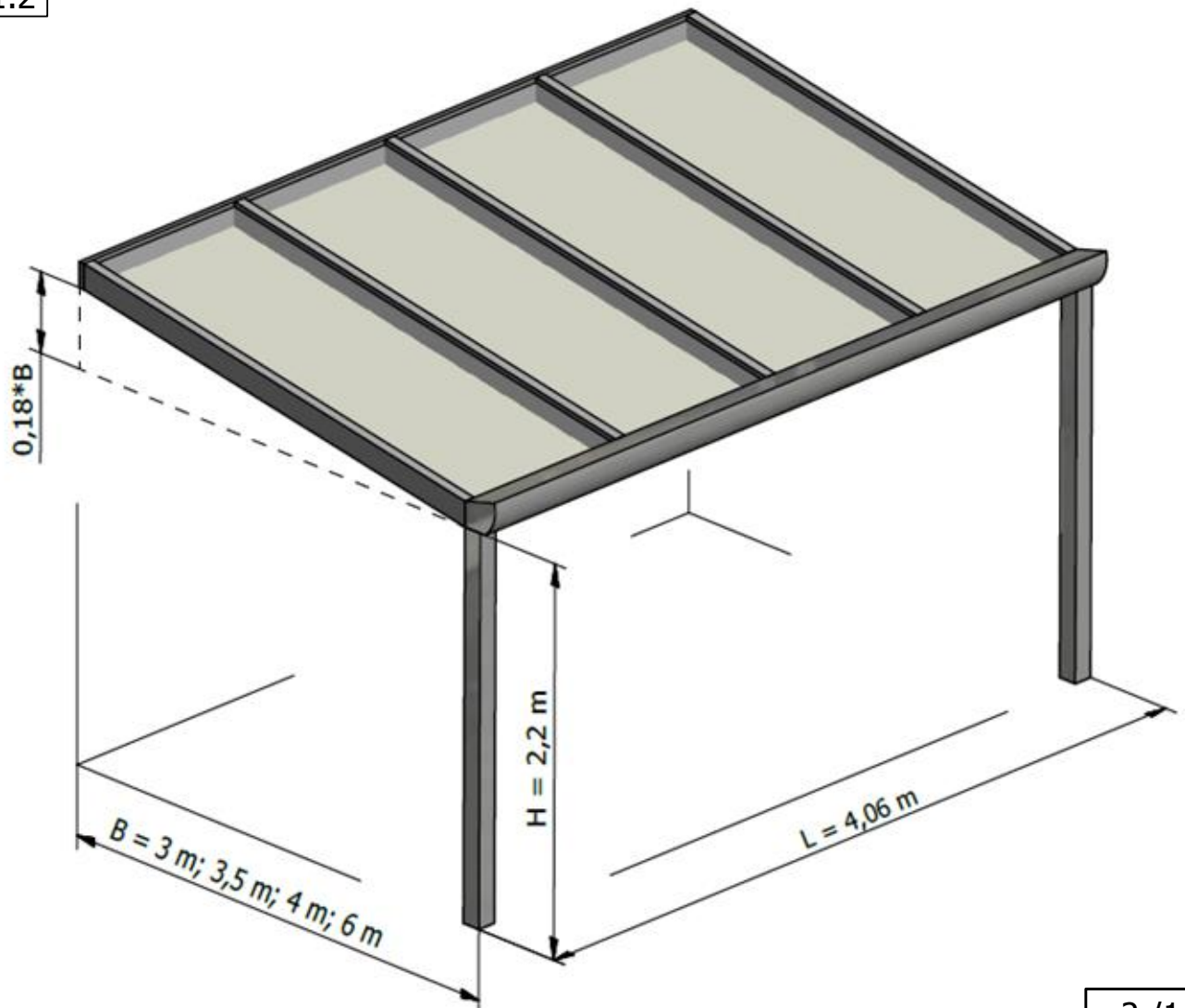
1.1



Thermo

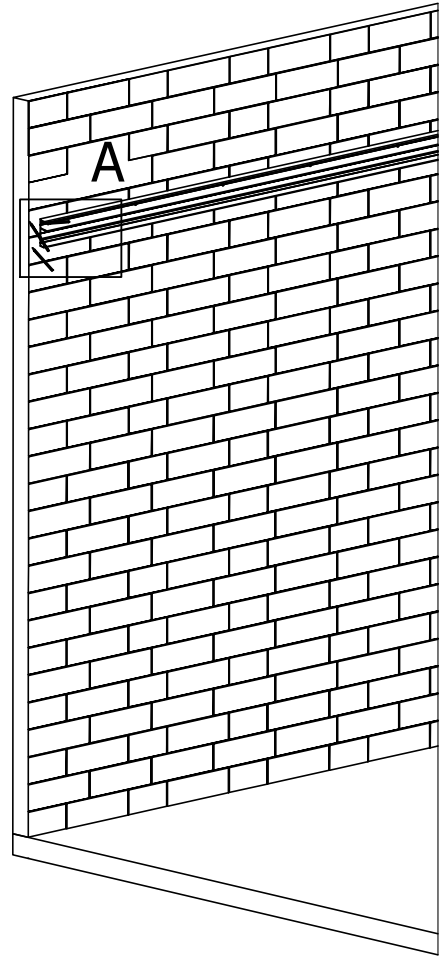
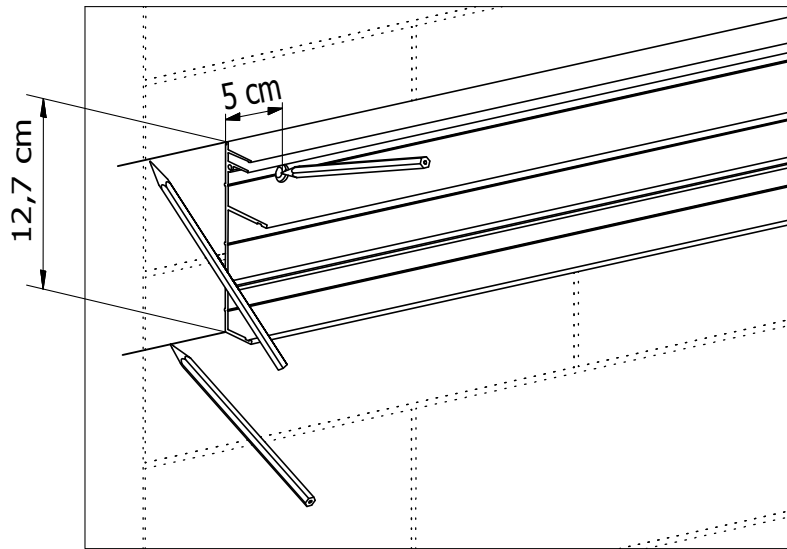


1.2



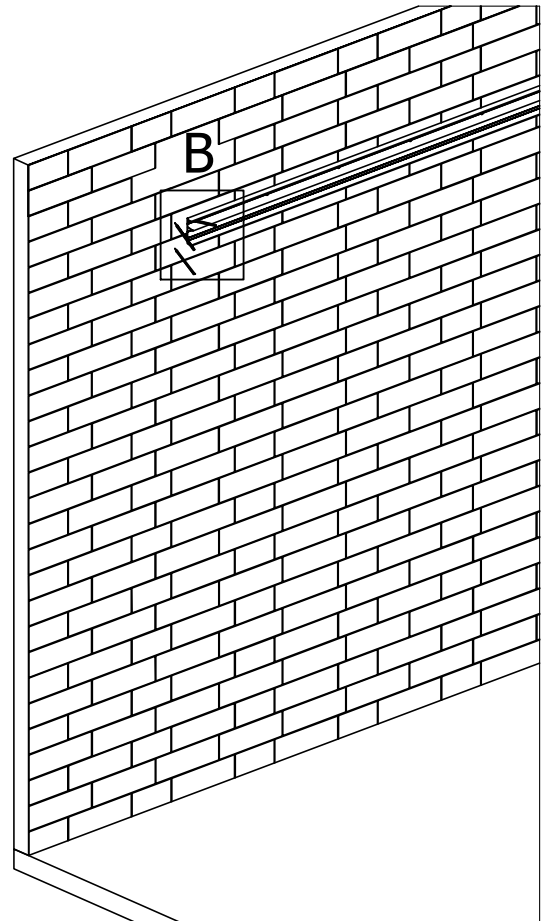
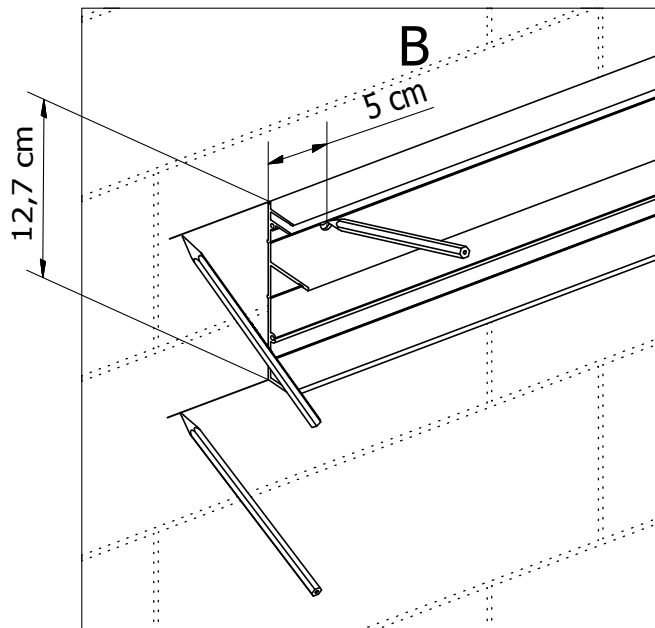
1.2\*

A



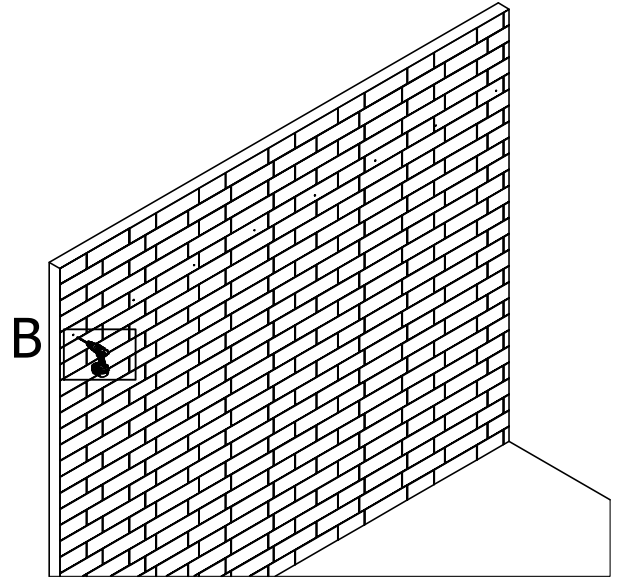
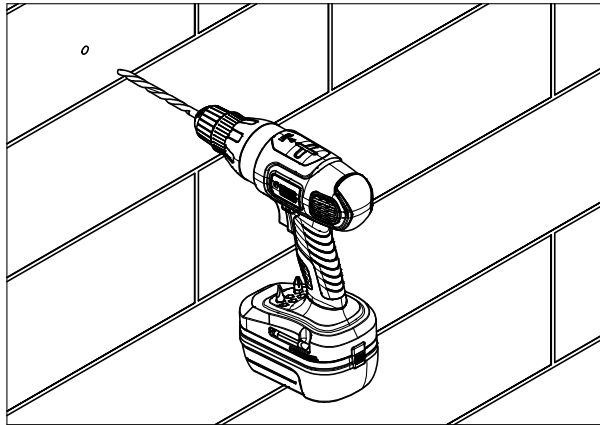
1.2\*\*

B



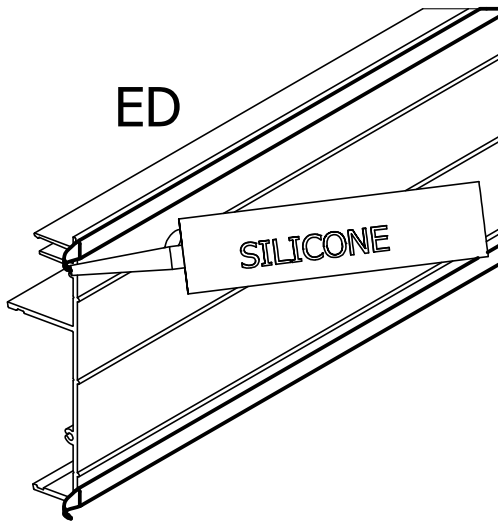
1.3

B

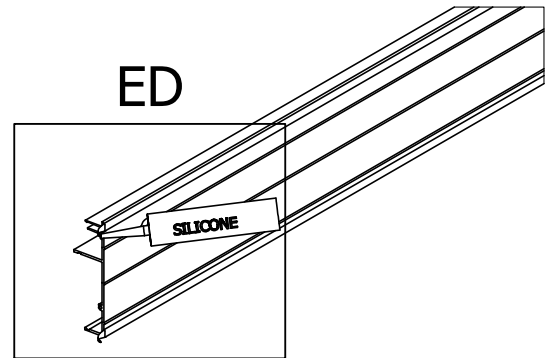


1.4

ED

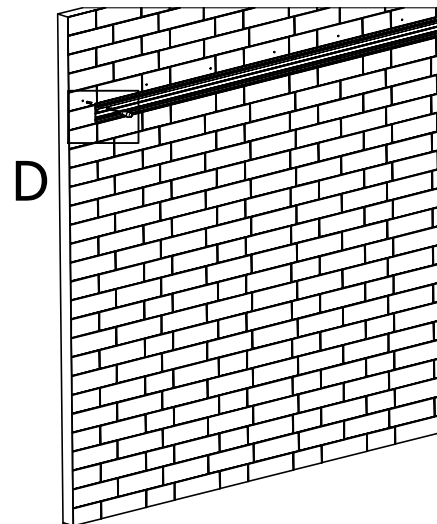
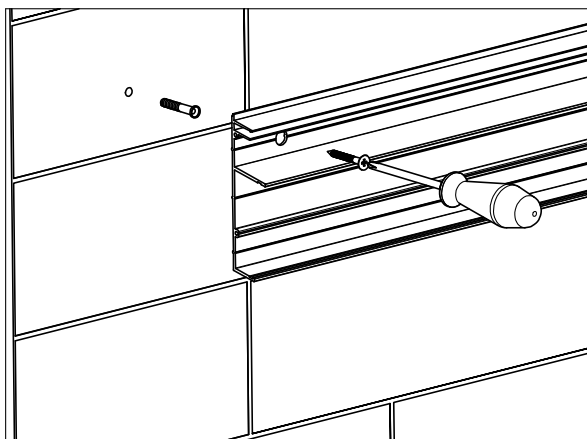


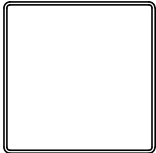
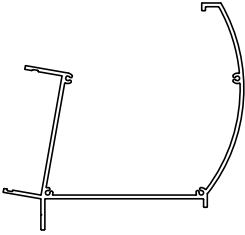
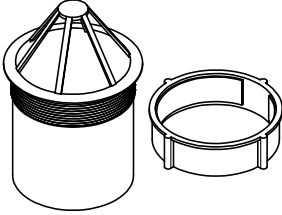
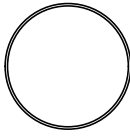
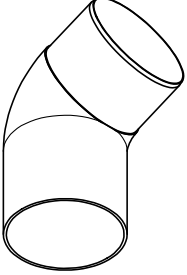

ED



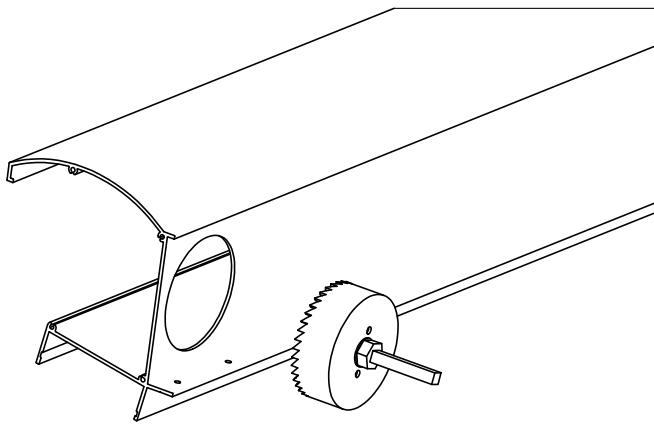
1.5

D

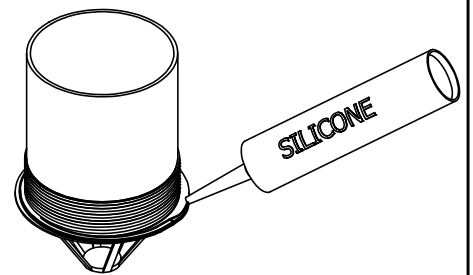


2					
x2	x1	x4	x1	x2	x2
					

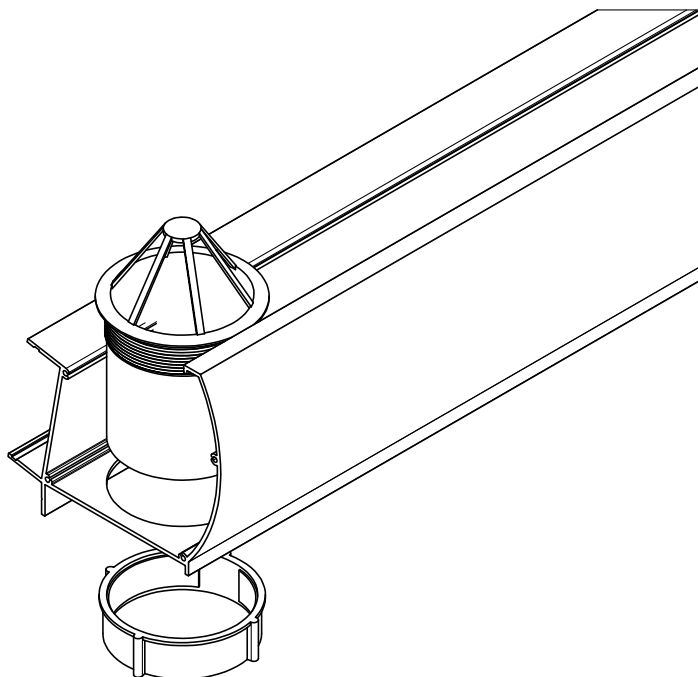
2.1

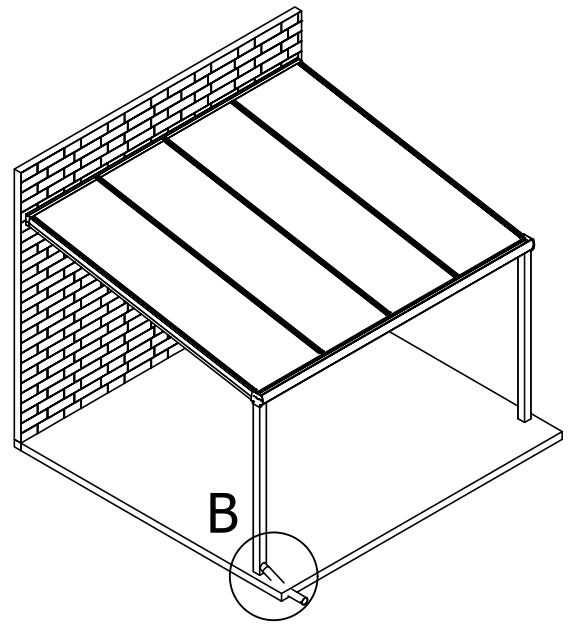
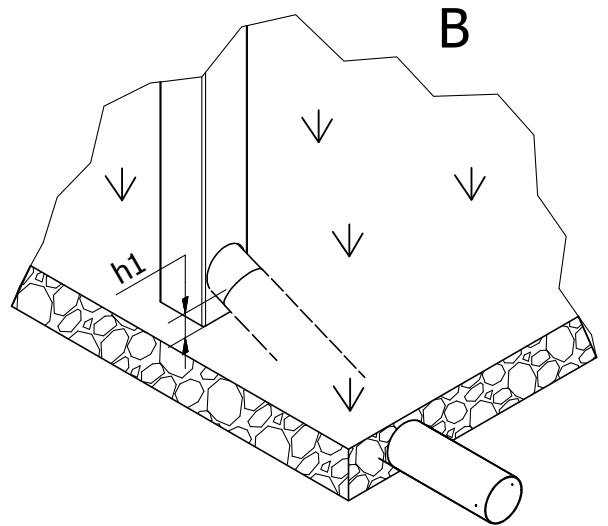
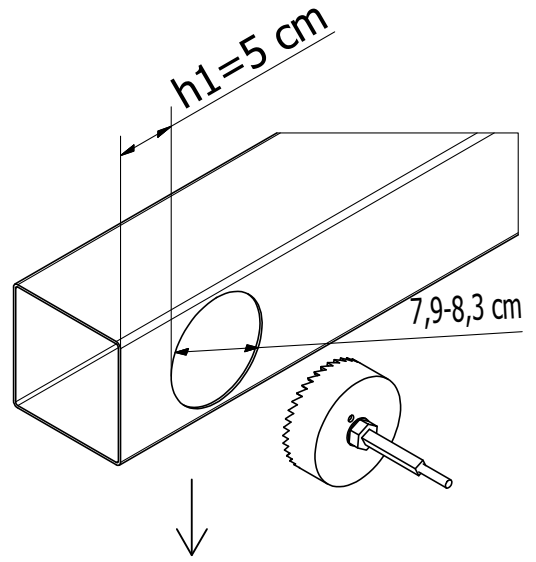
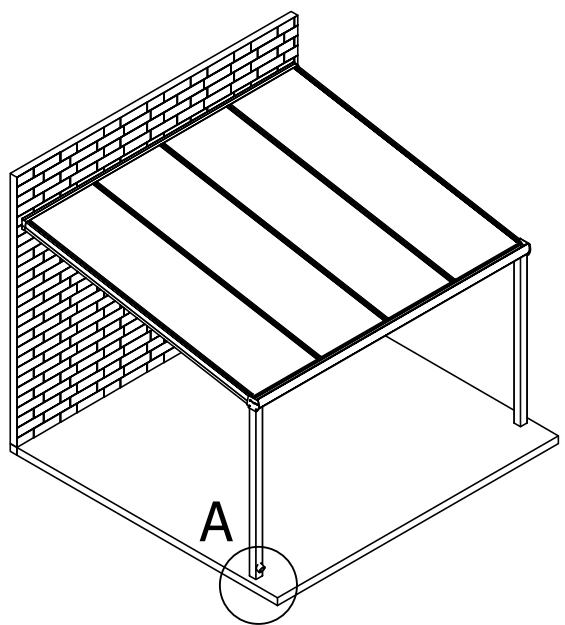
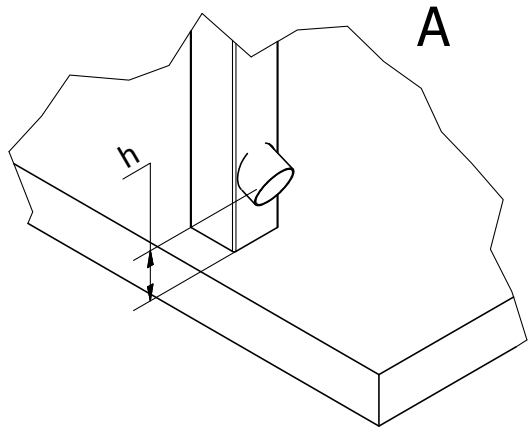
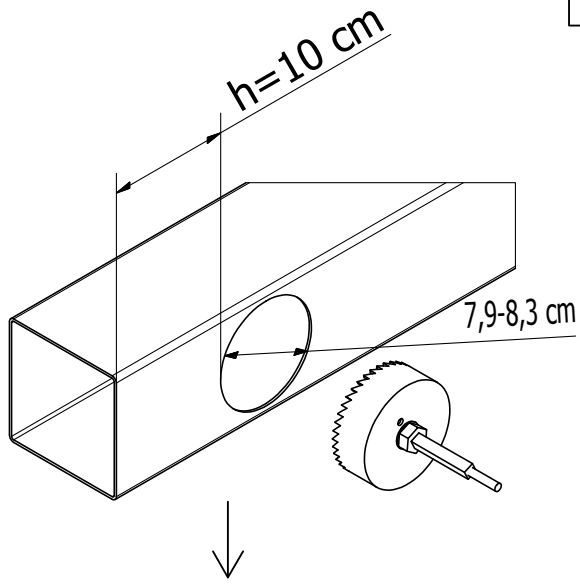


2.2

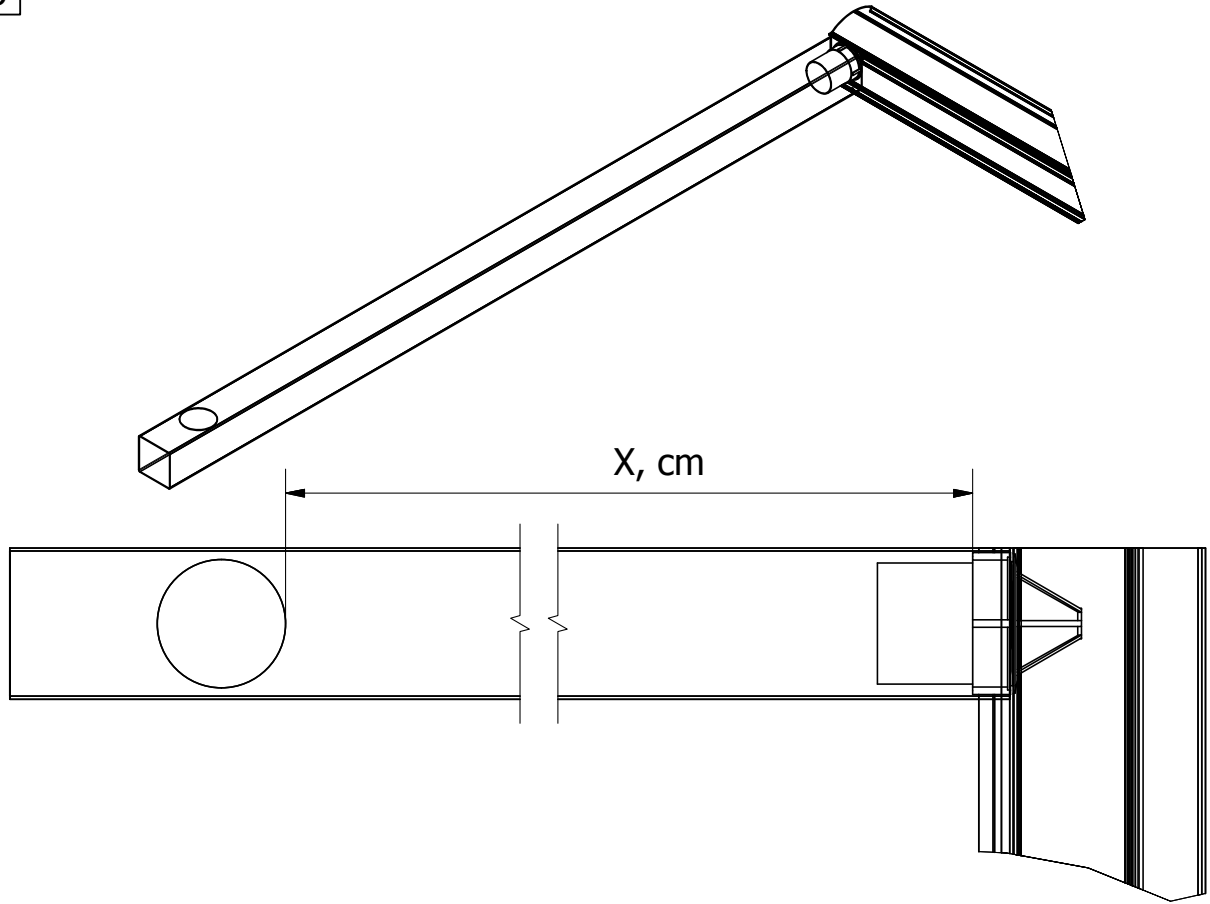


2.3

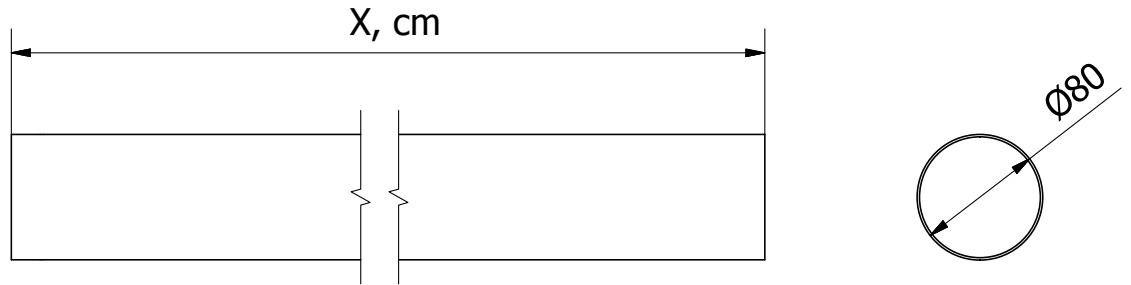




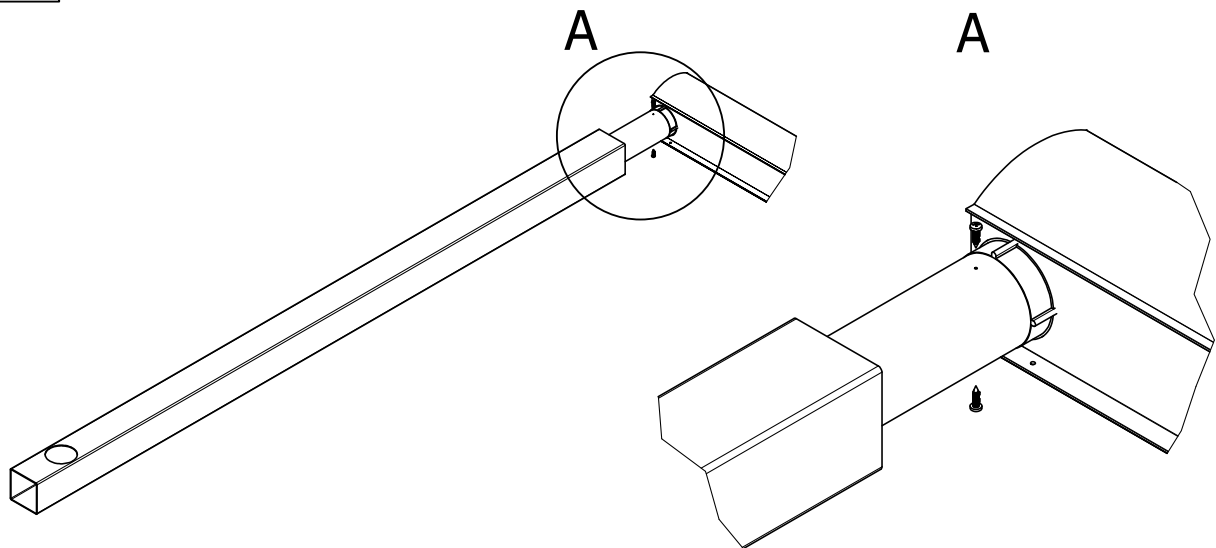
2.5



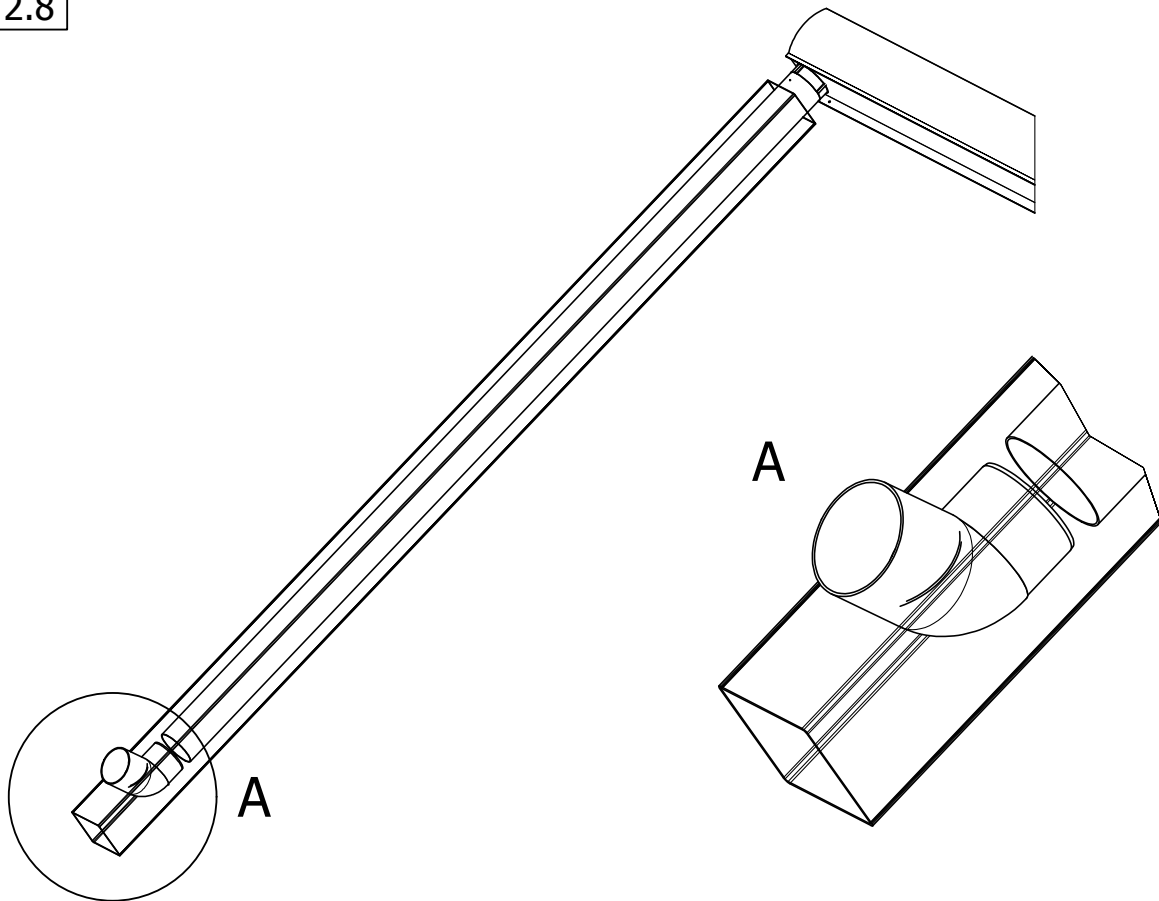
2.6



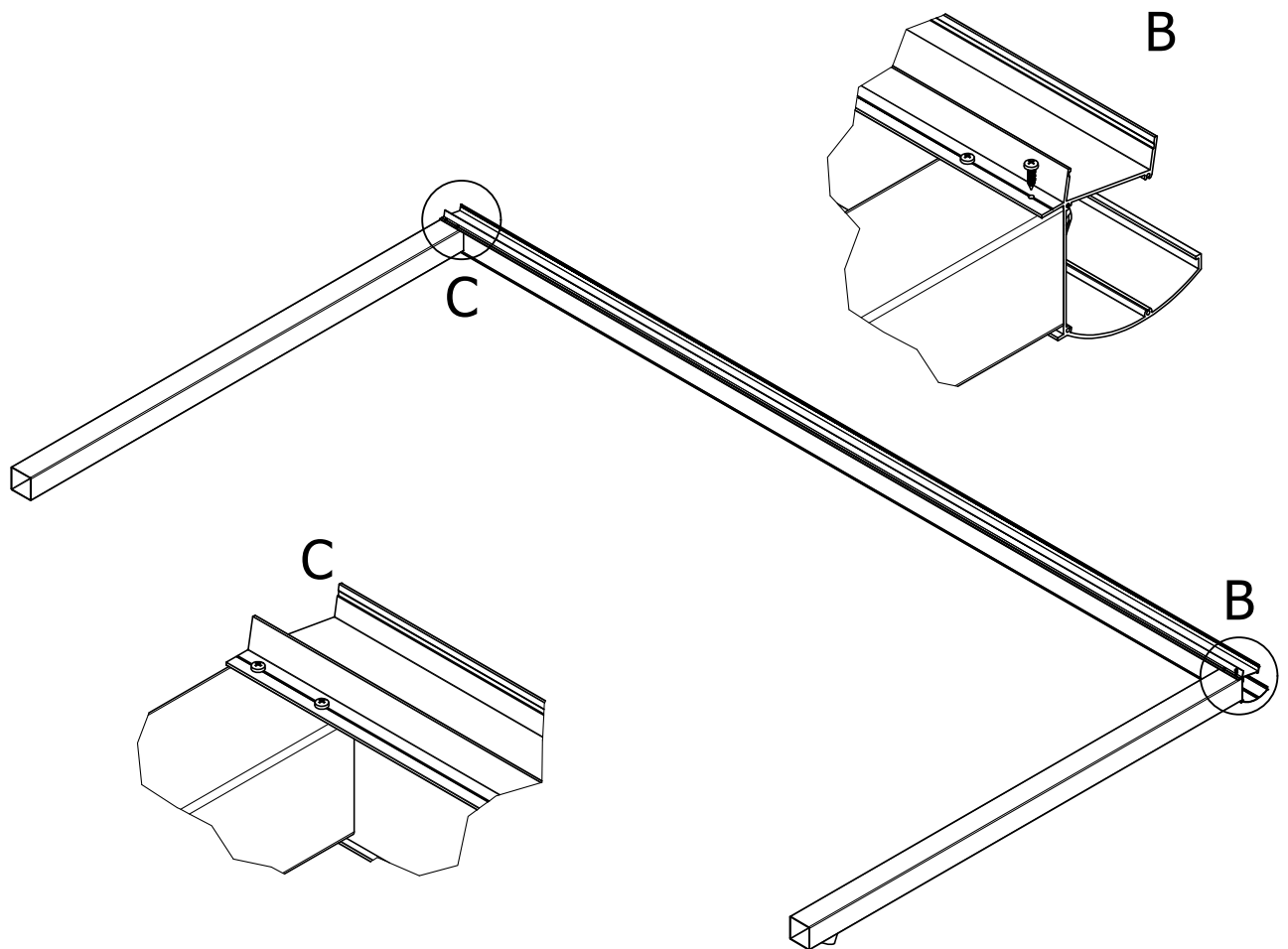
2.7



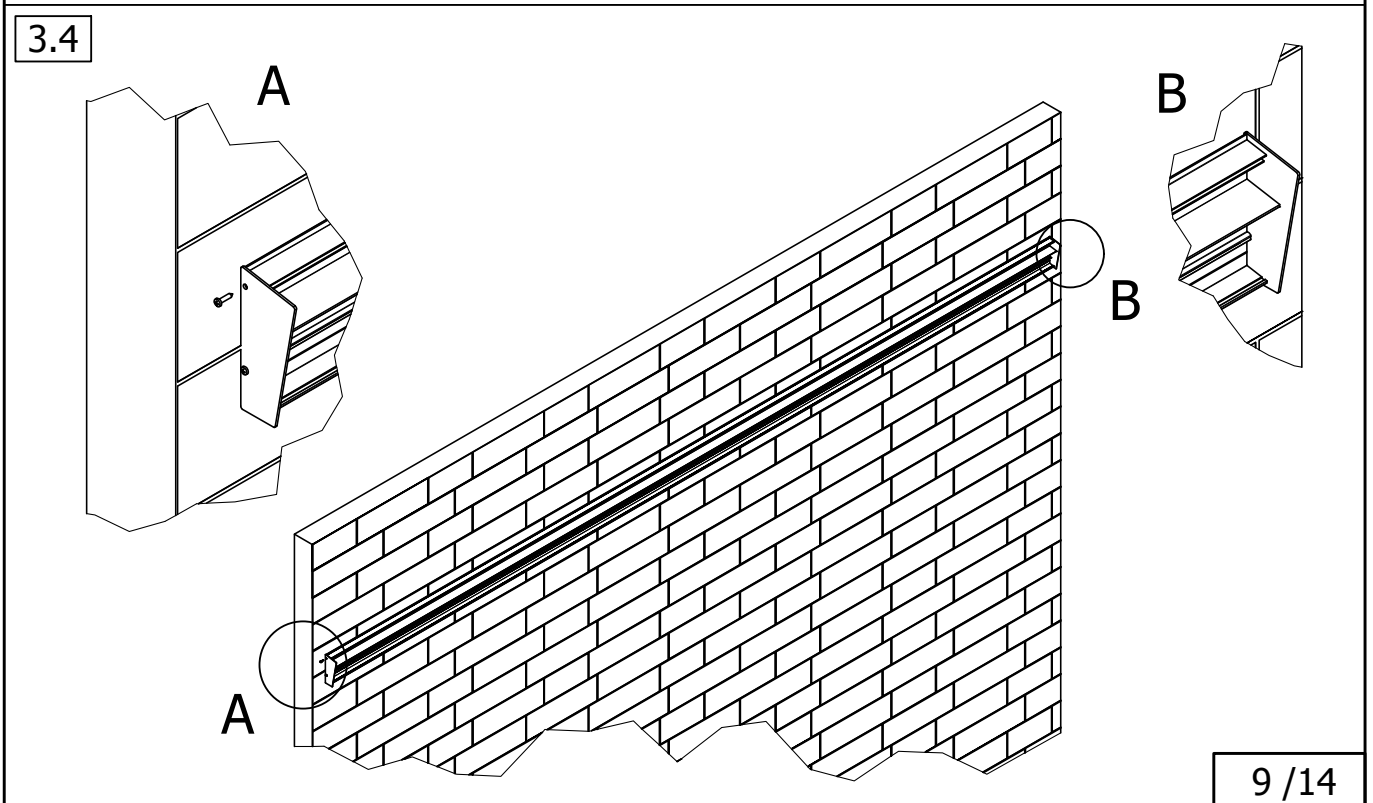
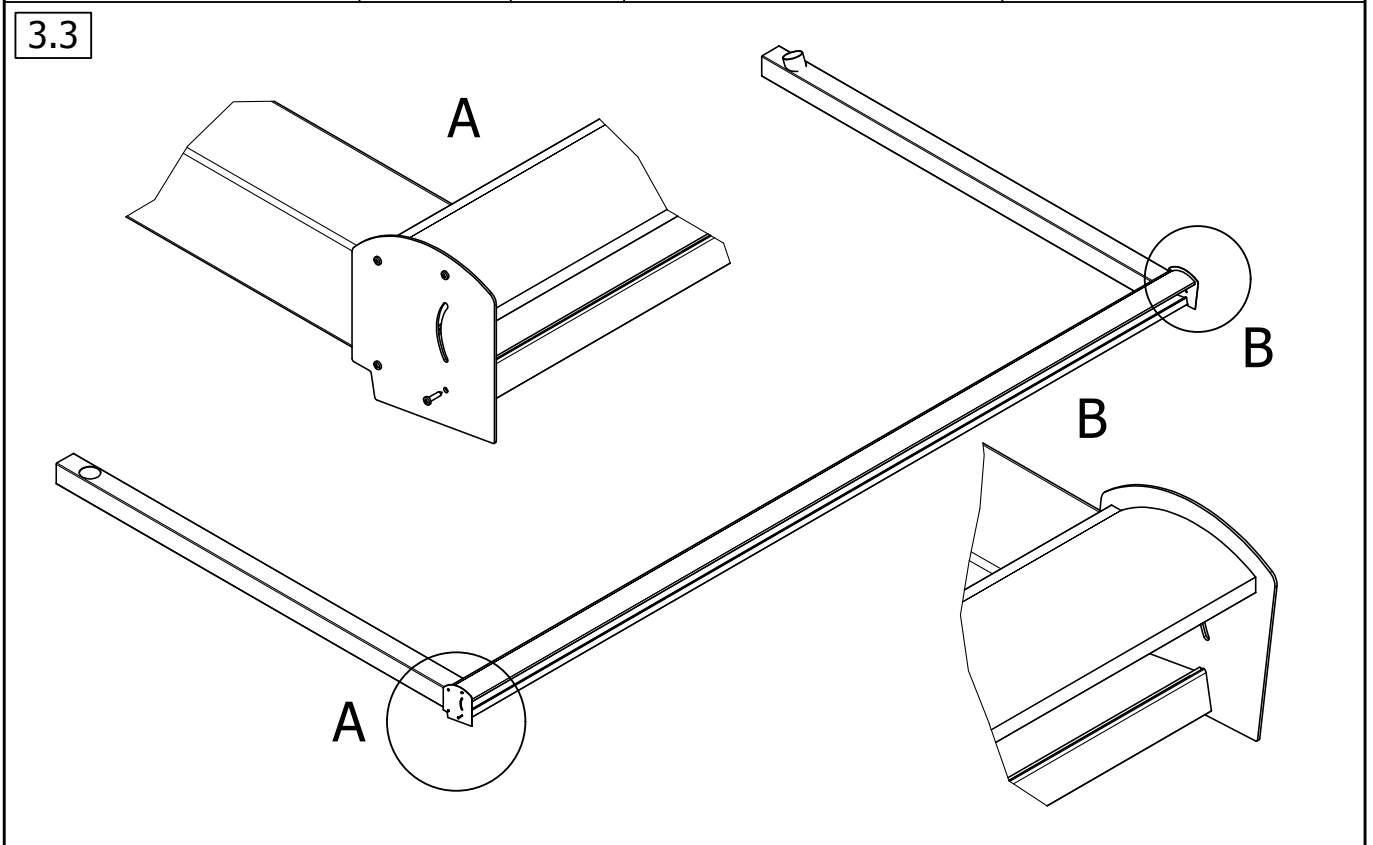
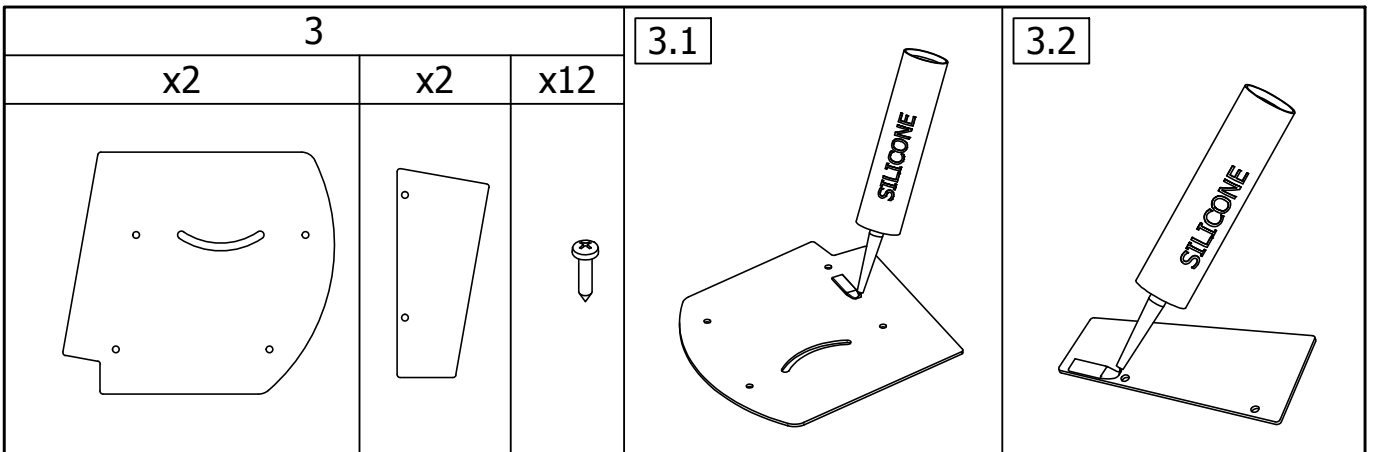
2.8



2.9







4

x1

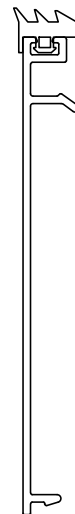
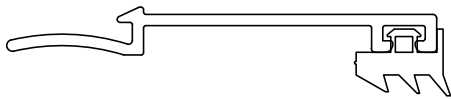
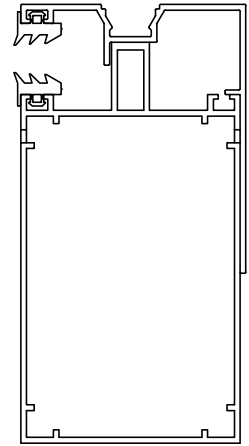
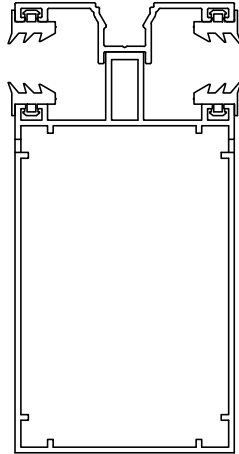
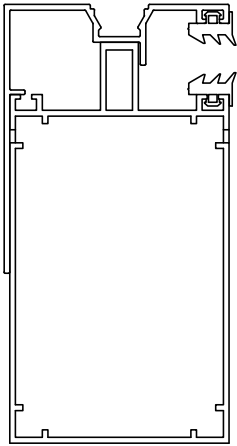
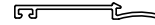
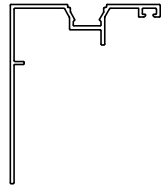
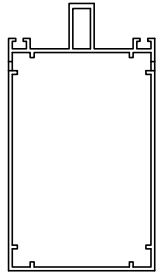
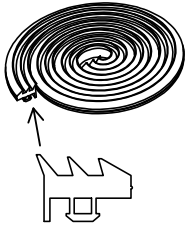
x4

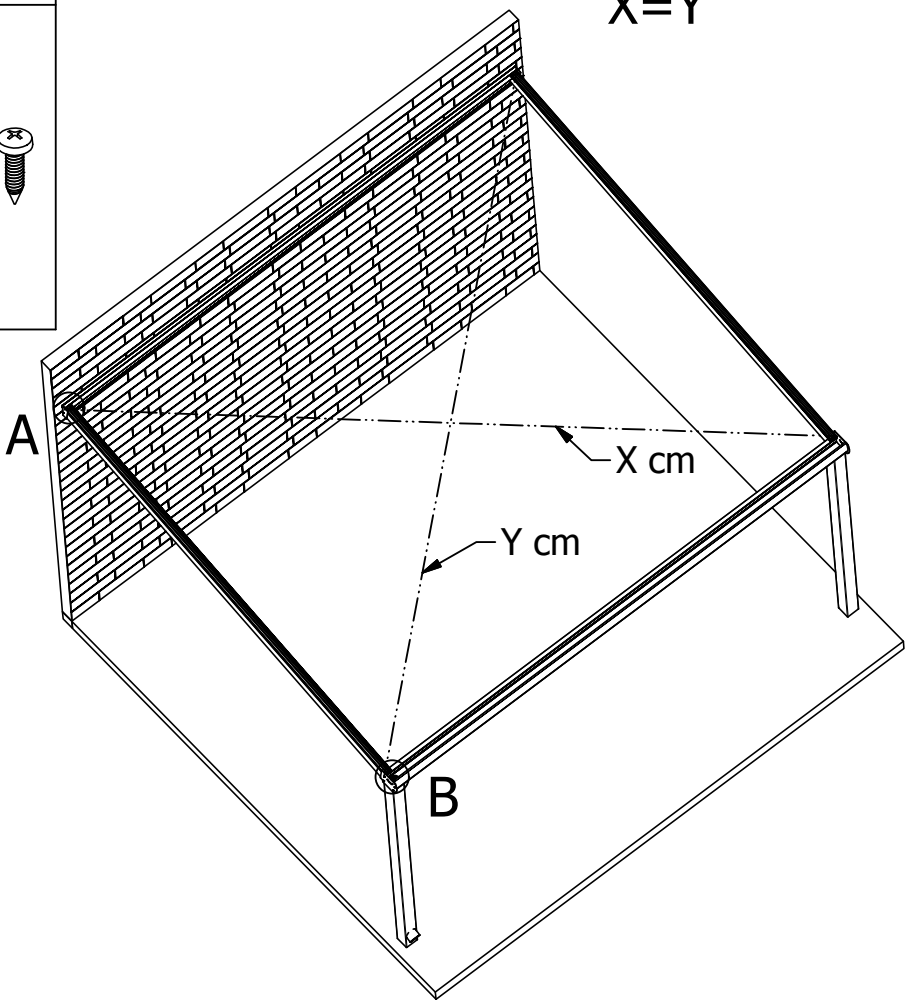
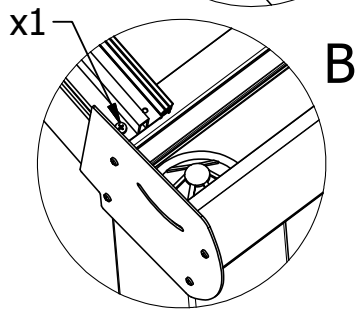
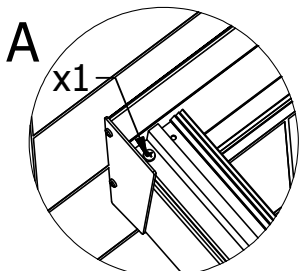
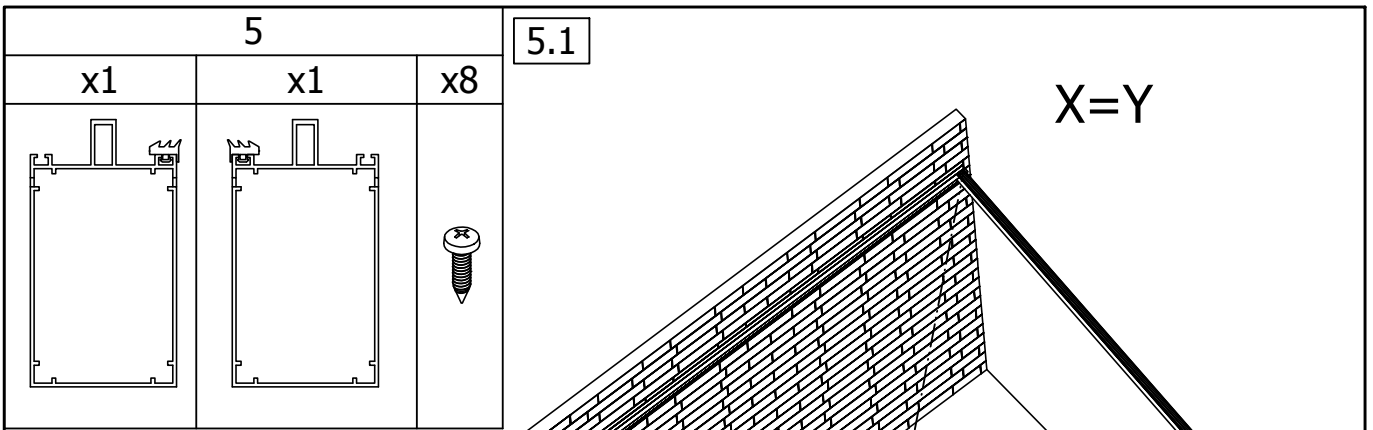
x2

x3

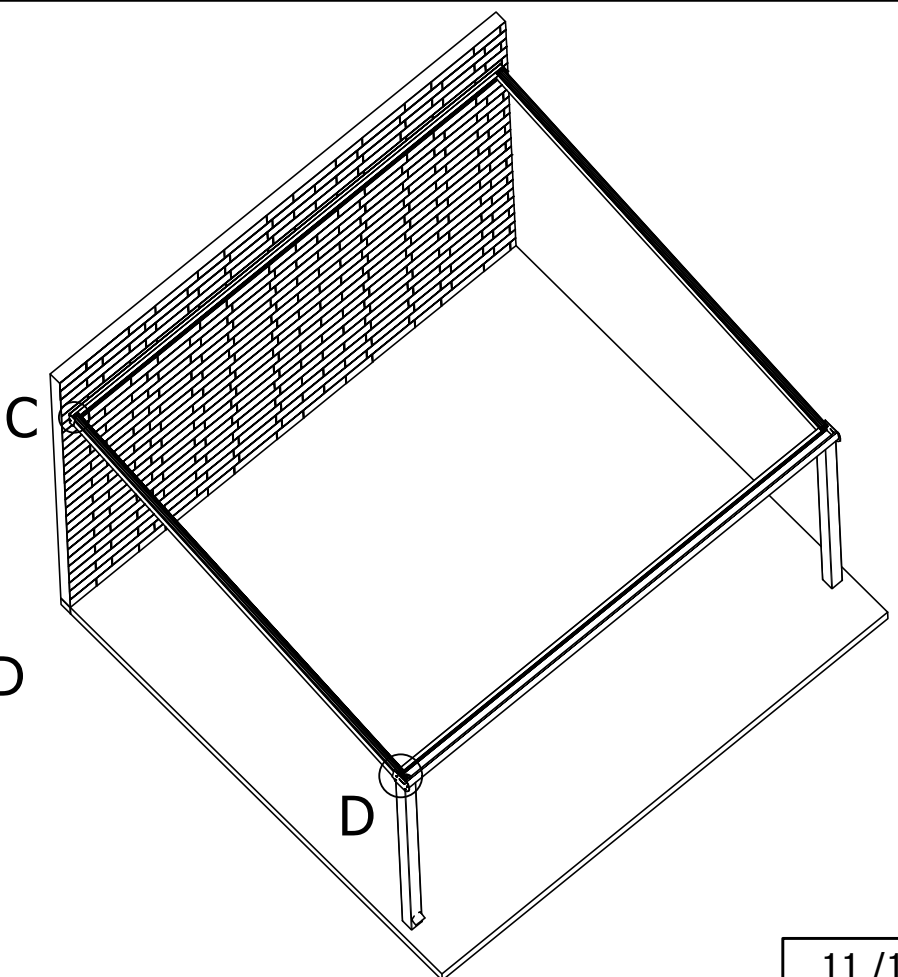
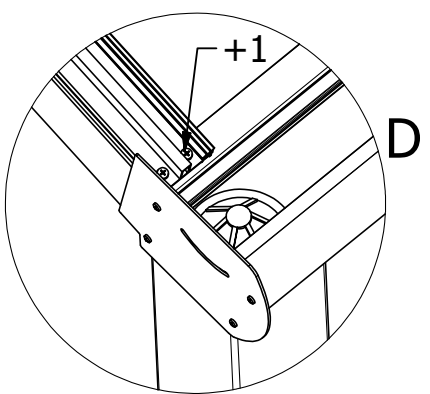
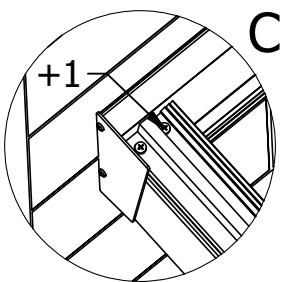
x8


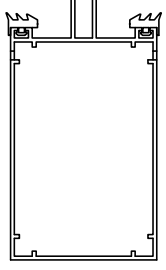

x2



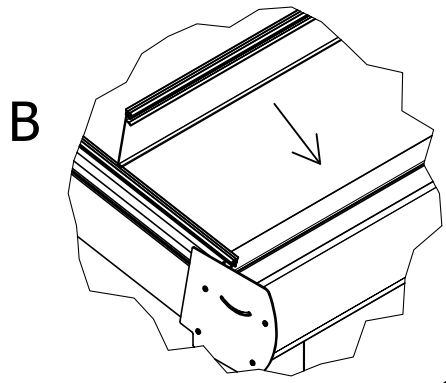
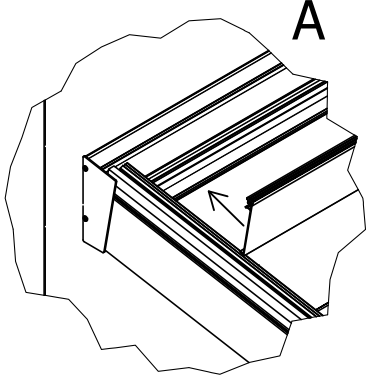
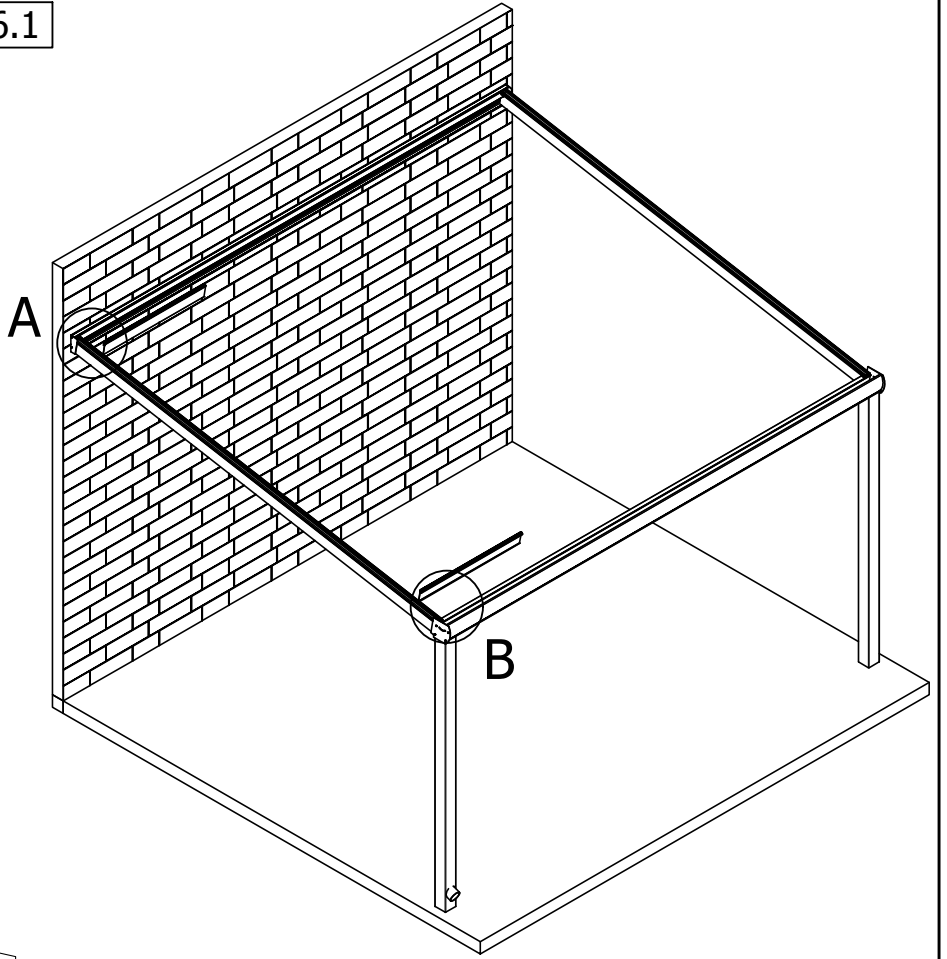


**5.2**

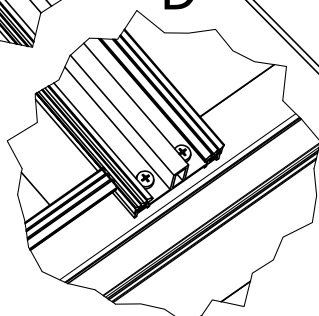
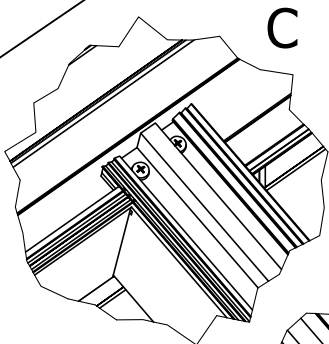
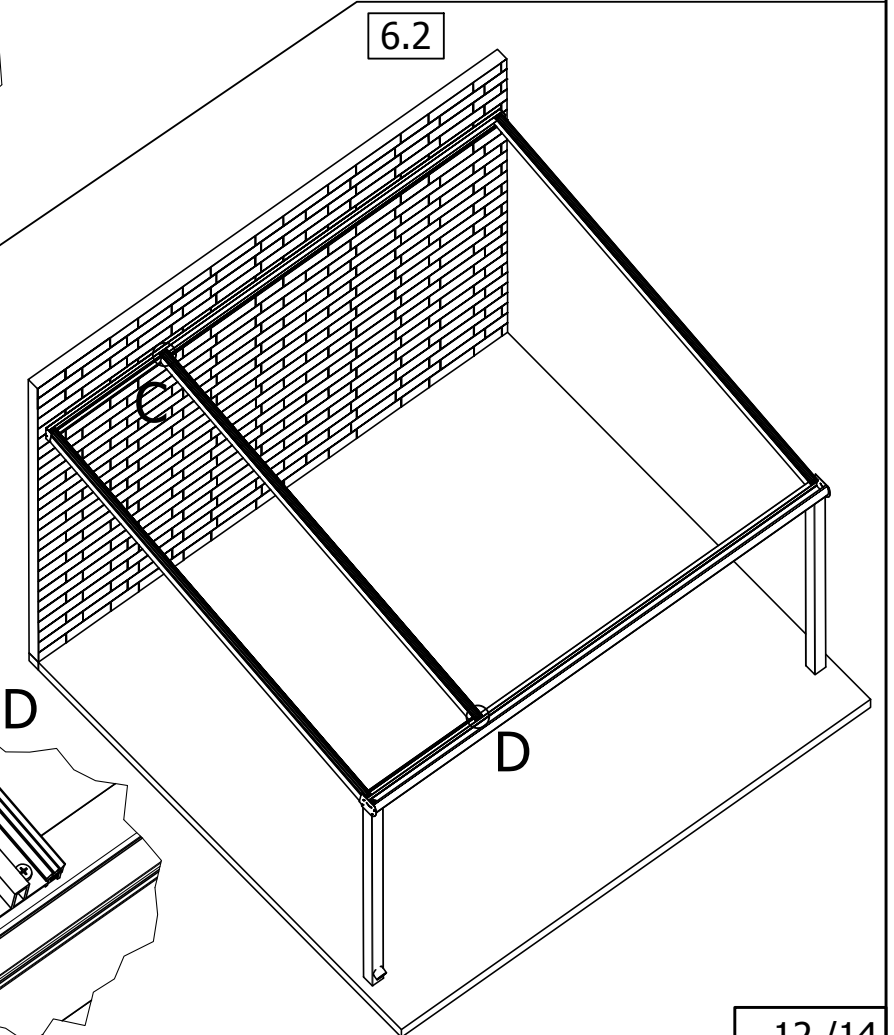


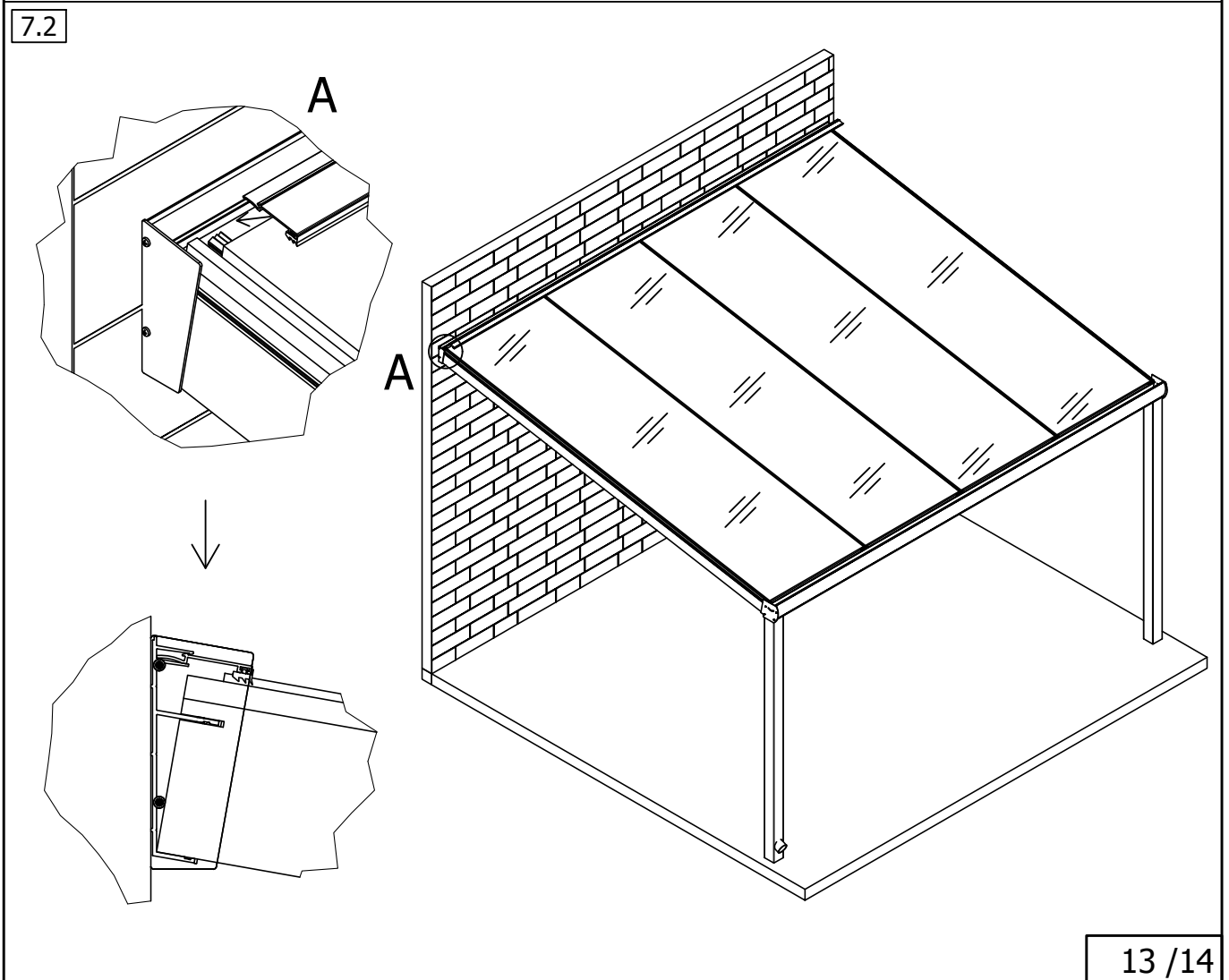
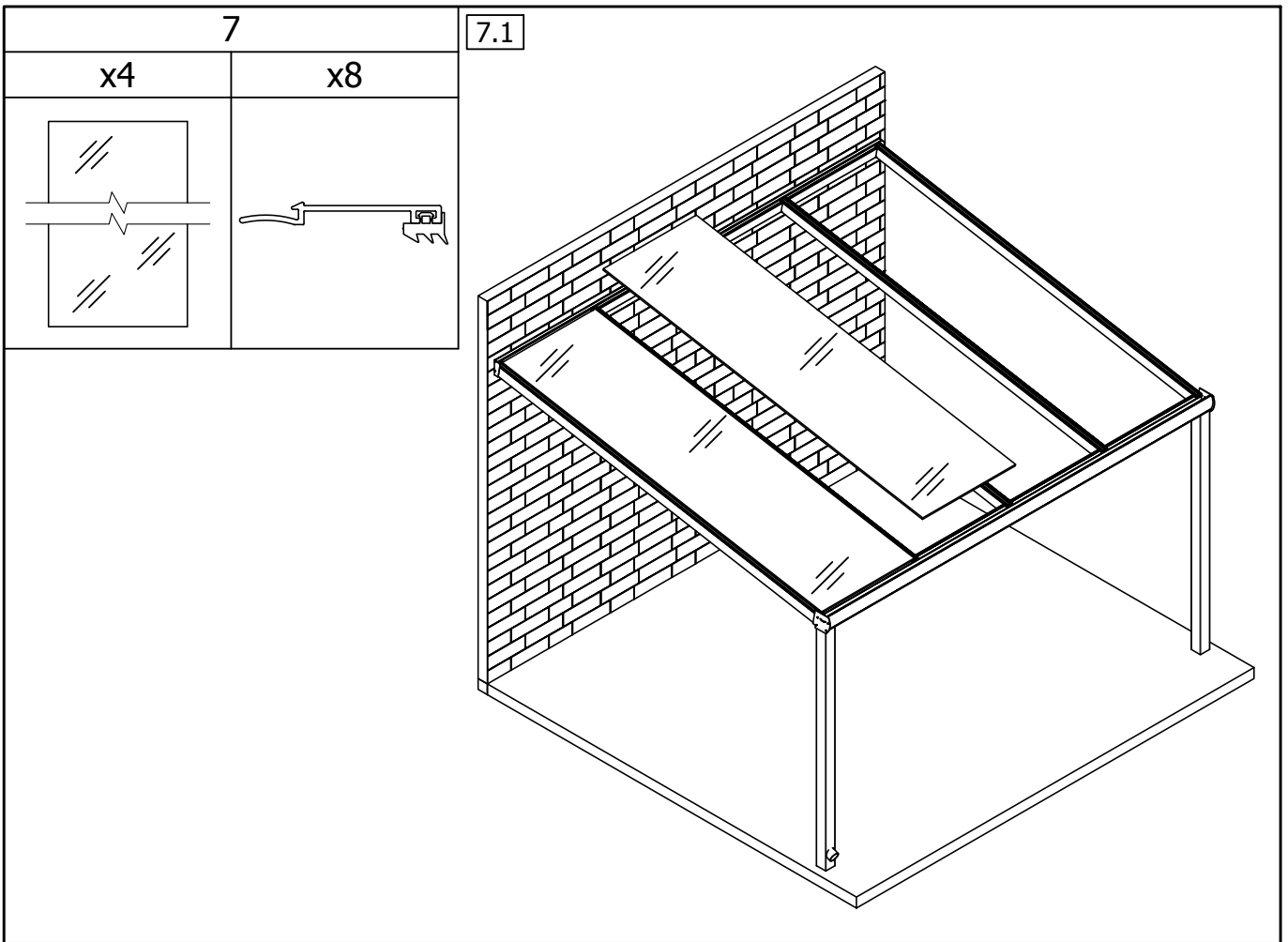
6		
x8	x2	x8
		


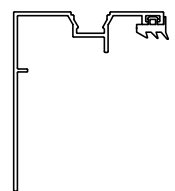


6.1



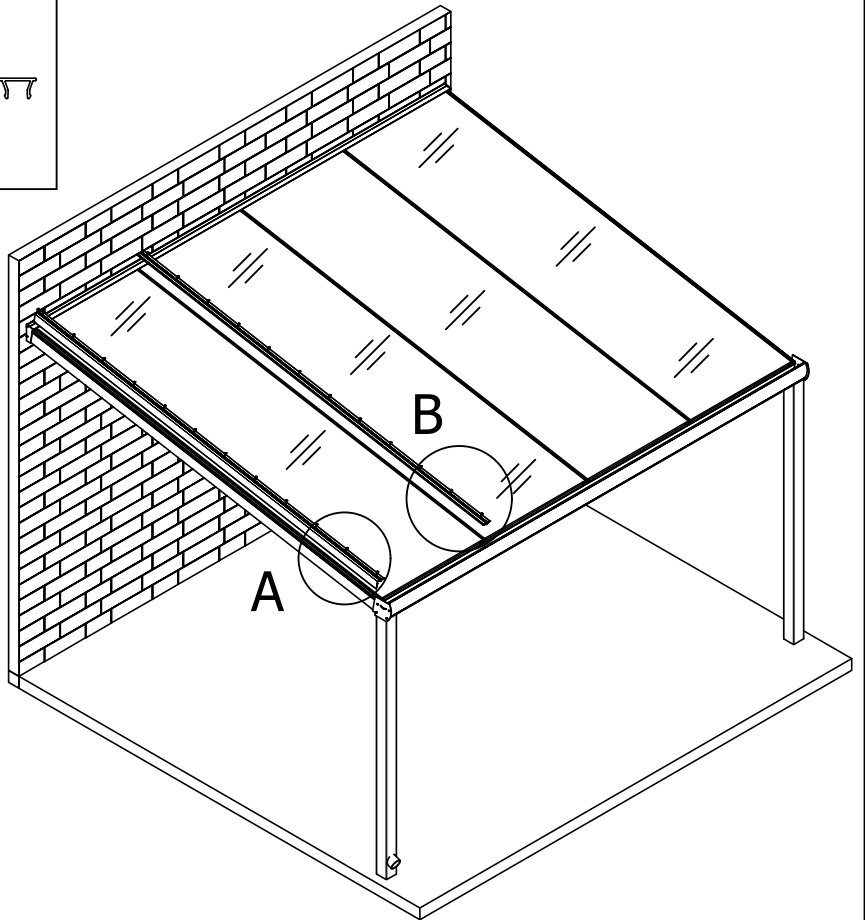
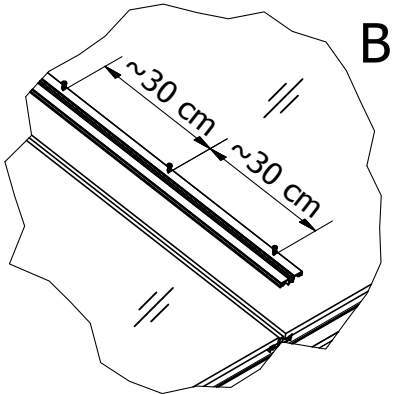
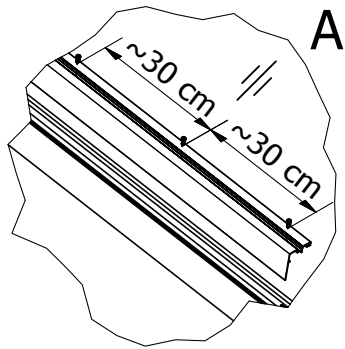
6.2





8			
x3	x2	x60	x5
			

8.1



8.2

